

ACEFAST



ShenZhen Houshuxia Technology Co.,Ltd.

Brand Introduction

Brand—ACEFAST(parent company Shenzhen Houshuxia Technology Co., Ltd.), ACE stands for first-class. FAST stands for speed. The brand is based on the rapid development of electronic and digital technology industry, which requires high-speed follow-up to consumer needs. We forge ahead and strive to create a leading brand. Since its inception, the brand has focused on the development of high-quality standard electronic and digital products, including charging, audio, cables, smart electronics and personal health care.

The brand insists on taking high quality as the foundation and new technology as the driving force to provide global consumers with reliable and high-quality products.





Power bank

◆ Exploration Series

M2-20000

Exploration series 30W fast charge power bank



- Certification: CE/FCC/ROHS/IC/UKCA/PSE/GB/T35590-2017 test report/ IEC62133, IEC62368 test report/UL1642, UL2056 test report, in line with UN38.3 international air transport standards, can be carried on board.
- Transparent shell, more technological sense.
- Configure AI intelligent temperature control technology for fast charging and more peace of mind.
- High-quality customized batteries are used to make the products more durable.



M1-10000

Exploration series 30W fast charge power bank



- Certification: CE/FCC/ROHS/IC/UKCA/GB/T35590-2017 test report/IEC62133, IEC62368 test report, in line with UN38.3 international air transport standards, can be carried on board.
- Transparent shell, more technological sense.
- Configure AI intelligent temperature control technology for fast charging and more peace of mind.
- High-quality customized batteries are used to make the products more durable.





Power Bank

◆ Classic Series

M6-10000

PD20W magnetic wireless charging power bank



- Certification: CE/FCC/ROHS/ECA certification, in line with UN38.3 international air transport standards, can be carried on board.
- Using high-quality customized batteries, it can still maintain 80% capacity health after 300 cycles of use.
- Magnetic wireless and wired charging two in one.
- Small size and large capacity, support charging and discharging at the same time.
- Comes with a foldable stand, it is more convenient to watch movies and watch videos.



M4-20000

PD67W power bank



- Certification: CE/FCC/ROHS/ECA certification, in line with UN38.3 international air transport standards, can be carried on board.
- Using high-quality customized batteries, it can still maintain 80% capacity health after 300 cycles of use.
- 67W high power, standard with the latest Apple notebook, two-way fast charging, fast speed, and more efficient charging.
- Equipped with 100W Type-C cable, pluggable and self-contained cable design, users can replace the wiring by themselves, which is very practical.





Charger

◆ Exploration Series

A55

Sparkling series PD30W GaN (USB-C) charger (US)



- Transparent design, internal chip is visible, more technological sense, multi-color optional.
- LED real-time display of charging power.
- Gallium nitride (GaN) technology, stable performance.
- AI intelligent temperature control technology for fast charging and more peace of mind.
- Certification: FCC, IC, UL test report.



A54

Sparkling series PD30W GaN (USB-C)
charger (CN)



- Transparent design, internal chip is visible, more technological sense, multi-color optional.
- LED real-time display of charging power.
- Gallium nitride (GaN) technology, stable performance.
- AI intelligent temperature control technology for fast charging and more peace of mind.
- Certification: 3C.



A53

Sparkling series PD30W GaN (USB-C) charger (EU)



- Transparent design, internal chip is visible, more technological sense, multi-color optional.
- LED real-time display of charging power.
- Gallium nitride (GaN) technology, stable performance.
- AI intelligent temperature control technology for fast charging and more peace of mind.
- Certification: CE/ROHS/EAC/ERP6.



A47

Exploration series PD 65W (2*USB-C+
USB-A) GaN charger (US)



- Transparent design, visible internal chip, more technological sense, multi-color optional.
- The 3rd generation gallium nitride (GaN) semiconductor material technology is used to improve the overall energy, higher efficiency, smaller size and lower temperature.
- Configure AI intelligent temperature control technology for fast charging and more peace of mind.
- The smart chip has multiple protections such as overvoltage protection, overcurrent protection, and over-power protection, which are safer.
- Certification: FCC, IC, UL test report.



A46

Exploration series PD 65W (2*USB-C+
USB-A) GaN charger (CN)



- Transparent design, visible internal chip, more technological sense, multi-color optional.
- The 3rd generation gallium nitride (GaN) semiconductor material technology is used to improve the overall energy, higher efficiency, smaller size and lower temperature.
- Configure AI intelligent temperature control technology for fast charging and more peace of mind.
- The smart chip has multiple protections such as overvoltage protection, overcurrent protection, and over-power protection, which are safer.
- Certification: 3C



A45

Exploration series PD 65W (2*USB-C+
USB-A) GaN charger (EU)



- Transparent design, visible internal chip, more technological sense, multi-color optional.
- The 3rd generation gallium nitride (GaN) semiconductor material technology is used to improve the overall energy, higher efficiency, smaller size and lower temperature.
- Configure AI intelligent temperature control technology for fast charging and more peace of mind.
- The smart chip has multiple protections such as overvoltage protection, overcurrent protection, and over-power protection, which are safer.
- Certification: CE/ROHS 2.0/EAC/ERP6 energy efficiency.





Charger

◆ Classic Series

A77

mini PD30W GaN USB-C charger (EU)



- Gallium nitride (GaN) technology, smaller size, lower temperature and higher efficiency.
- Mini small size design, easy to carry.
- Certification: CE/ROHS 2.0/EAC/ERP6 energy efficiency.
- The smart chip has multiple protections such as overvoltage protection, overcurrent protection and over-power protection.



A73

mini PD20W GaN USB-C charger (EU)



- Gallium nitride (GaN) technology, smaller size, lower temperature and higher efficiency.
- Mini small size design, easy to carry.
- Certification: CE/ROHS 2.0/EAC/ERP6 energy efficiency.
- The smart chip has multiple protections such as overvoltage protection, overcurrent protection and over-power protection.



ACEFAST

A69

PD30W GaN (USB-A+USB-C) ultra-thin charger (EU)



- Gallium nitride (GaN) technology, smaller size, lower temperature, higher efficiency.
- Certification: CE/ROHS 2.0/EAC/ERP6 level energy efficiency.
- The smart chip has multiple protections such as overvoltage protection, overcurrent protection, and overpower protection, which is safer.



ACEFAST

A65

PD20W GaN single USB-C ultra-thin charger (EU)



- Gallium nitride (GaN) technology, smaller size, lower temperature, higher efficiency.
- Certification: CE/ROHS 2.0/EAC/ERP6 level energy efficiency.
- The smart chip has multiple protections such as overvoltage protection, overcurrent protection, and overpower protection, which is safer.



A61

PD45W GaN (2*USB-C+2*USB-A) charger
(EU)



- Gallium nitride (GaN) technology, smaller size, lower temperature, higher efficiency.
- Certification: CE/ROHS 2.0/EAC/ERP6 level energy efficiency.
- The smart chip has multiple protections such as overvoltage protection, overcurrent protection, and overpower protection, which is safer.
- Support mobile phones/tablets/laptops and other devices to charge.



A57

PD35W GaN (2*USB-A+USB-C) charger
(EU)



- Gallium nitride (GaN) technology, smaller size, lower temperature, higher efficiency.
- Certification: CE/ROHS 2.0/EAC/ERP6 level energy efficiency.
- The smart chip has multiple protections such as overvoltage protection, overcurrent protection, and overpower protection, which is safer.
- Support charging of mobile phones/tablets and other devices.



ACEFAST

A51

PD35W GaN (USB-C+USB-C) dual port charger (US)



- Gallium nitride (GaN) technology, smaller size, lower temperature and higher efficiency.
- Certification: FCC
- The smart chip has multiple protections such as overvoltage protection, overcurrent protection, and over-power protection, safer.
- Support charging of mobile phones/tablets/game consoles/laptops and other devices.



ACEFAST

A49

PD35W GaN (USB-C+USB-C) dual port charger (EU)



- Gallium nitride (GaN) technology, smaller size, lower temperature and higher efficiency.
- Certification: CE/ROHS2.0/EAC/ERP6.
- The smart chip has multiple protections such as overvoltage protection, overcurrent protection, and over-power protection, safer.
- Support charging of mobile phones/tablets/game consoles/laptops and other devices.



A44

PD65W GaN (2*USB-C+USB-A) charger
(UK)



- 65W Gallium nitride (GaN) technology, smaller size, lower temperature and higher efficiency.
- Certification: UKCA/CB.
- The smart chip has multiple protections such as overvoltage protection, overcurrent protection, and over-power protection.
- Support mobile phones/tablets/Switch/laptops, etc.



A43

PD65W GaN (2*USB-C+USB-A) charger
(US)



- 65W Gallium nitride (GaN) technology, smaller size, lower temperature and higher efficiency.
- Certification: CB, PSE, FCC, UL test report.
- The smart chip has multiple protections such as overvoltage protection, overcurrent protection, and over-power protection.
- Support mobile phones/tablets/Switch/laptops, etc.



A41

PD65W GaN (2*USB-C+USB-A) charger
(EU)



- 65W Gallium nitride (GaN) technology, smaller size, lower temperature and higher efficiency.
- Certification: CB/CE/ROHS 2.0/EAC/ERP6 energy efficiency.
- The smart chip has multiple protections such as overvoltage protection, overcurrent protection, and over-power protection.
- Support mobile phones/tablets/Switch/laptops, etc.



A40

PD100W GaN (3*USB-C+USB-A) charger set (UK)



- 100W GaN, more stable charging, faster heat dissipation, smaller size.
- 2. Certification: UKCA.
- 3. The smart chip has multiple protections such as overvoltage protection, overcurrent protection, and over-power protection, which are safer.
- 4. V0 grade fireproof material, safe and durable.
- 5. Support charging of mobile phones/tablets/game consoles/laptops and other devices.



A39

PD100W GaN (3*USB-C+USB-A) charger set (US)



- 100W GaN, more stable charging, faster heat dissipation, smaller size.
- Certification: PSE, FCC, UL test report.
- The smart chip has multiple protections such as overvoltage protection, overcurrent protection, and overpower protection, more secure.
- V0 grade fireproof material, safe and durable.
- Support mobile phone/tablet/Switch/laptop etc.



ACEFAST

A37

PD100W GaN (3*USB-C+USB-A) charger set (EU)



- 100W GaN, more stable charging, faster heat dissipation, smaller size.
- Certification: CE/ROHS 2.0/EAC/ERP6 energy efficiency.
- The smart chip has multiple protections such as overvoltage protection, overcurrent protection, and overpower protection, more secure.
- V0 grade fireproof material, safe and durable.
- Support mobile phone/tablet/Switch/laptop etc.



ACEFAST

A33

QC18W (USB-A+USB-A) dual port
charger (EU)



- Dual port QC fast charge.
- Certification: CE, RoHS, EAC, ERP6 energy efficiency certification.



A32

PD50W GaN (USB-C+USB-C) dual port charger (UK)



- GaN charger, more stable charging, faster cooling, smaller size.
- Certification: UKCA/CB.
- Support dual-port fast charging at the same time, compatible with notebook, tablet, mobile phone charging.



A29

PD50W GaN (USB-C+USB-C) dual port charger (EU)



- GaN charger, more stable charging, faster cooling, smaller size.
- Certification: CB, CE, RoHS, EAC, ERP6 energy efficiency certification.
- Support dual-port fast charging at the same time, compatible with notebook, tablet, mobile phone charging.



A25

PD20W (USB-C+USB-A) dual port
charger (EU)



- Support PD 20W fast charging
- It is mainly suitable for PD fast charging of devices such as iPhone/Samsung mobile phones/iPad
- Safer, V0 fire protection
- Certification: CE, RoHS, EAC, ERP6 energy efficiency certification.



A24

30W GaN single USB-C charger (UK)



- GaN charger, more stable charging, faster heat dissipation and smaller size
- Support PD 30W fast charging
- It is mainly suitable for PD fast charging of devices such as iPhone/Samsung mobile phones/iPad, and also suitable for emergency PD fast charging of laptops.
- Safer, V0 fire protection
- Certification: UKCA



A23

30W GaN single USB-C charger (US)



- GaN charger, more stable charging, faster heat dissipation and smaller size
- Support PD 30W fast charging
- It is mainly suitable for PD fast charging of devices such as iPhone/Samsung mobile phones/iPad, and also suitable for emergency PD fast charging of laptops.
- Safer, V0 fire protection
- Certification: PSE、FCC、UL test report



A21

30W GaN single USB-C charger (EU)



- GaN charger, more stable charging, faster heat dissipation and smaller size
- Support PD 30W fast charging
- It is mainly suitable for PD fast charging of devices such as iPhone/Samsung mobile phones/iPad, and also suitable for emergency PD fast charging of laptops.
- Safer, V0 fire protection
- CE、RoHS、EAC、ERP6 energy efficiency certification



A19

65W GaN multi-function HUB charger set
(US)



- 65W GaN + HDMI 4K/HD video + charging, plug and play (support notebooks, mobile phones, game consoles).
- USB-A supports keyboard, mouse, USB flash drive and other USB devices.
- USB-C to USB-C 3.1 cable supports 100W PD charging, support transmission speed of 10Gbps. Supports 4K/60Hz
- Certification: PSE, FCC, UL test report.



A17

65W GaN multi-function HUB charger set
(EU)



- 65W GaN + HDMI 4K/HD video + charging, plug and play (support notebooks, mobile phones, game consoles).
- USB-A supports keyboard, mouse, USB flash drive and other USB devices.
- USB-C to USB-C 3.1 cable supports 100W PD charging, support transmission speed of 10Gbps. Supports 4K/60Hz
- Certification: CE, RoHS, EAC, ERP6 energy efficiency certification.



A15

PD65W(USB-C+USB-C+USB-A) 3-port charger set (US)



- Support 65W PD fast charging
- Compatible with multiple fast charging protocols
- Support Type-C notebooks and tablets/mobile phones fast charge at the same time, one charger can solve the fast charging needs of multiple devices.
- Safer, V0 fire protection
- Certification: PSE、FCC、UL test report



A13

PD65W(USB-C+USB-C+USB-A) 3-port
charger set (EU)



- Support 65W PD fast charging
- Compatible with multiple fast charging protocols
- Support Type-C notebooks and tablets/mobile phones fast charge at the same time, one charger can solve the fast charging needs of multiple devices.
- Safer, V0 fire protection
- Certification: CE、RoHS、EAC、ERP6 energy efficiency certification



ACEFAST

A12

PD40W(USB-C+USB-C) dual port charger
(UK)



- Dual port support PD 20W fast charging
- Support PD fast charge for two devices at the same time, such like an Apple phone and a Samsung phone model, or an Apple phone and an iPad.
- Safer, V0 fire protection
- Certification: UKCA



A11

PD40W(USB-C+USB-C) dual port charger
(US)



- Dual port support PD 20W fast charging
- Support PD fast charge for two devices at the same time, such like an Apple phone and a Samsung phone model, or an Apple phone and an iPad.
- Safer, V0 fire protection
- Certification: PSE、FCC、UL test report



ACEFAST

A9

PD40W(USB-C+USB-C) dual port charger
(EU)



- Dual port support PD 20W fast charging
- Support PD fast charge for two devices at the same time, such like an Apple phone and a Samsung phone model, or an Apple phone and an iPad.
- Safer, V0 fire protection
- Certification: CE、RoHS、EAC、ERP6 energy efficiency certification



A8

PD32W(USB-C+USB-A) dual port charger
(UK)



- USB-C support PD 20W fast charging
- USB-C support fast charging when dual port work at the same time. It is mainly suitable for charging an Apple mobile phone + Apple headset/Apple watch at the same time, or charging a Samsung mobile phone + Samsung headset/Samsung watch.
- Safer, V0 fire protection
- Certification: UKCA



A7

PD32W(USB-C+USB-A) dual port charger
(US)



- USB-C support PD 20W fast charging
- USB-C support fast charging when dual port work at the same time. It is mainly suitable for charging an Apple mobile phone + Apple headset/Apple watch at the same time, or charging a Samsung mobile phone + Samsung headset/Samsung watch.
- Safer, V0 fire protection
- Certification: PSE、FCC、UL test report



A5

PD32W(USB-C+USB-A) dual port charger
(EU)



- USB-C support PD 20W fast charging
- USB-C support fast charging when dual port work at the same time. It is mainly suitable for charging an Apple mobile phone + Apple headset/Apple watch at the same time, or charging a Samsung mobile phone + Samsung headset/Samsung watch.
- Safer, V0 fire protection
- Certification: CE, RoHS, EAC, ERP6 energy efficiency certification



A4

PD20W single USB-C charger (UK)



- Support PD 20W fast charging
- It is mainly suitable for PD fast charging of iPhone/Samsung mobile phone/iPad and other devices.
- Safer, V0 fire protection
- Certification: UKCA



A3

PD20W single USB-C charger (US)



- Support PD 20W fast charging
- It is mainly suitable for PD fast charging of iPhone/Samsung mobile phone/iPad and other devices.
- Safer, V0 fire protection
- Certification: PSE、FCC、UL test report



A1

PD20W single USB-C charger (EU)



- Support PD 20W fast charging
- It is mainly suitable for PD fast charging of iPhone/ Samsung mobile phone/iPad and other devices.
- Safer, V0 fire protection
- Certification: CE, RoHS, EAC, ERP6 energy efficiency certification





**Desktop
Charger**

Z4

PD218W GaN (3*USB-C+USB-A) desktop charging adapter (US)



- Certification: FCC.
- Gallium nitride (GaN) technology, smaller size, lower temperature and higher efficiency.
- 4 charging modes can be switched, and the high power of 218W matches the maximum charging power required by different devices.
- The screen displays the voltage and power status of each port in real time.
- 1.25mm² bold copper wire, high safety factor.



Z4

PD218W GaN (3*USB-C+USB-A) desktop charging adapter (EU)



- Certification: CE, ROHS.
- Gallium nitride (GaN) technology, smaller size, lower temperature and higher efficiency.
- 4 charging modes can be switched, and the high power of 218W matches the maximum charging power required by different devices.
- The screen displays the voltage and power status of each port in real time.
- 1.25mm² bold copper wire, high safety factor.



Z3

PD75W GaN (3*USB-C+2*USB-A)
desktop charging adapter (UK)



- Certification: UKCA.
- Gallium nitride (GaN) technology, smaller size, lower temperature and higher efficiency.
- The combination of socket + fast charger is powerful, more versatile, and easy to carry.
- 1.25mm² bold copper wire, high safety factor.



Z2

PD75W GaN (3*USB-C+2*USB-A)
desktop charging adapter (EU)



- Certification: CE, ROHS.
- Gallium nitride (GaN) technology, smaller size, lower temperature and higher efficiency.
- The combination of socket + fast charger is powerful, more versatile, and easy to carry.
- 1.25mm² bold copper wire, high safety factor.



Z1

PD75W GaN (3*USB-C+2*USB-A)
multifunctional charging adapter



- Certification: CE, ROHS, FCC, UKCA.
- Gallium nitride (GaN) technology, smaller size, lower temperature and higher efficiency.
- EU/UK/US/AU standard multi-specification conversion plugs, only one plug can be launched at a time to ensure safe use.
- The combination of socket + fast charger, more versatile and easy to carry
- 1.25mm² bold copper wire, high safety factor.





TWS Headset

◆ Exploration Series

T9

Crystal color (Air) bluetooth earbuds



- High-power Bluetooth chip, dual-core processor, low power consumption, stable signal, no attenuation in audio coding.
- SVE AI call noise reduction technology to ensure high-quality call without fear of interference.
- Gradient spraying, colorful.
- CE, ROHS, FCC ID, IC ID, TELEC, BQB, SRRC, EAC, UL62368 test report, quality inspection report, UN38.3, MSDS air and sea freight appraisal certificate.



T9

Crystal color (Air) bluetooth earbuds



- High-power Bluetooth chip, dual-core processor, low power consumption, stable signal, no attenuation in audio coding.
- SVE AI call noise reduction technology to ensure high-quality call without fear of interference.
- Gradient spraying, colorful.
- CE, ROHS, FCC ID, IC ID, TELEC, BQB, SRRC, EAC, UL62368 test report, quality inspection report, UN38.3, MSDS air and sea freight appraisal certificate.



T9

Crystal color (Air) bluetooth earbuds



- High-power Bluetooth chip, dual-core processor, low power consumption, stable signal, no attenuation in audio coding.
- SVE AI call noise reduction technology to ensure high-quality call without fear of interference.
- Gradient spraying, colorful.
- CE, ROHS, FCC ID, IC ID, TELEC, BQB, SRRC, EAC, UL62368 test report, quality inspection report, UN38.3, MSDS air and sea freight appraisal certificate.



T9

Crystal color (Air) bluetooth earbuds



- High-power Bluetooth chip, dual-core processor, low power consumption, stable signal, no attenuation in audio coding.
- SVE AI call noise reduction technology to ensure high-quality call without fear of interference.
- Gradient spraying, colorful.
- CE, ROHS, FCC ID, IC ID, TELEC, BQB, SRRC, EAC, UL62368 test report, quality inspection report, UN38.3, MSDS air and sea freight appraisal certificate.



T9

Crystal color (Air) bluetooth earbuds



- High-power Bluetooth chip, dual-core processor, low power consumption, stable signal, no attenuation in audio coding.
- SVE AI call noise reduction technology to ensure high-quality call without fear of interference.
- Gradient spraying, colorful.
- CE, ROHS, FCC ID, IC ID, TELEC, BQB, SRRC, EAC, UL62368 test report, quality inspection report, UN38.3, MSDS air and sea freight appraisal certificate.



T9

Crystal color (Air) bluetooth earbuds



- High-power Bluetooth chip, dual-core processor, low power consumption, stable signal, no attenuation in audio coding.
- SVE AI call noise reduction technology to ensure high-quality call without fear of interference.
- Gradient spraying, colorful.
- CE, ROHS, FCC ID, IC ID, TELEC, BQB, SRRC, EAC, UL62368 test report, quality inspection report, UN38.3, MSDS air and sea freight appraisal certificate.



T8

Crystal color (2) true wireless Bluetooth headset



- BES2600IHC Bluetooth chip solution, dual-core processor, low power consumption, stable signal, no attenuation in audio coding.
- SVE AI call noise reduction technology to ensure high-quality call results without fear of interference.
- Coaxial dual-motion speaker, clear treble and thicker bass.
- Innovative LED digital display, embossed three-dimensional display, accurate display of power.
- Transparent texture, simple and beautiful.
- Cool atmosphere light in the charging case.



T8

Crystal color (2) true wireless Bluetooth headset



- BES2600IHC Bluetooth chip solution, dual-core processor, low power consumption, stable signal, no attenuation in audio coding.
- SVE AI call noise reduction technology to ensure high-quality call results without fear of interference.
- Coaxial dual-motion speaker, clear treble and thicker bass.
- Innovative LED digital display, embossed three-dimensional display, accurate display of power.
- Transparent texture, simple and beautiful.
- Cool atmosphere light in the charging case.



T8

Crystal color (2) true wireless Bluetooth headset



- BES2600IHC Bluetooth chip solution, dual-core processor, low power consumption, stable signal, no attenuation in audio coding.
- SVE AI call noise reduction technology to ensure high-quality call results without fear of interference.
- Coaxial dual-motion speaker, clear treble and thicker bass.
- Innovative LED digital display, embossed three-dimensional display, accurate display of power.
- Transparent texture, simple and beautiful.
- Cool atmosphere light in the charging case.



T8

Crystal color (2) true wireless Bluetooth headset



- BES2600IHC Bluetooth chip solution, dual-core processor, low power consumption, stable signal, no attenuation in audio coding.
- SVE AI call noise reduction technology to ensure high-quality call results without fear of interference.
- Coaxial dual-motion speaker, clear treble and thicker bass.
- Innovative LED digital display, embossed three-dimensional display, accurate display of power.
- Transparent texture, simple and beautiful.
- Cool atmosphere light in the charging case.



T8

Crystal color (2) true wireless Bluetooth headset



- BES2600IHC Bluetooth chip solution, dual-core processor, low power consumption, stable signal, no attenuation in audio coding.
- SVE AI call noise reduction technology to ensure high-quality call results without fear of interference.
- Coaxial dual-motion speaker, clear treble and thicker bass.
- Innovative LED digital display, embossed three-dimensional display, accurate display of power.
- Transparent texture, simple and beautiful.
- Cool atmosphere light in the charging case.



T8

Crystal color (2) true wireless Bluetooth headset



- BES2600IHC Bluetooth chip solution, dual-core processor, low power consumption, stable signal, no attenuation in audio coding.
- SVE AI call noise reduction technology to ensure high-quality call results without fear of interference.
- Coaxial dual-motion speaker, clear treble and thicker bass.
- Innovative LED digital display, embossed three-dimensional display, accurate display of power.
- Transparent texture, simple and beautiful.
- Cool atmosphere light in the charging case.



T6

True wireless stereo headset



- Certification: CE, RoHS, FCC, EAC, TELEC, BQB, UL62368 test report, quality inspection report, CB, IC ID, SRRC.
- LED digital display, translucent material, future texture.
- ENC call noise reduction, clearer call.
- Support fast charge, charge for 10 minutes, use for 1.5 hours.



T6

True wireless stereo headset



- Certification: CE, RoHS, FCC, EAC, TELEC, BQB, UL62368 test report, quality inspection report, CB、 IC ID、 SRRC.
- LED digital display, translucent material, future texture.
- ENC call noise reduction, clearer call.
- Support fast charge, charge for 10 minutes, use for 1.5 hours.



T6

True wireless stereo headset



- Certification: CE, RoHS, FCC, EAC, TELEC, BQB, UL62368 test report, quality inspection report, CB, IC ID, SRRC.
- LED digital display, translucent material, future texture.
- ENC call noise reduction, clearer call.
- Support fast charge, charge for 10 minutes, use for 1.5 hours.



T6

True wireless stereo headset



- Certification: CE, RoHS, FCC, EAC, TELEC, BQB, UL62368 test report, quality inspection report, CB, IC ID, SRRC.
- LED digital display, translucent material, future texture.
- ENC call noise reduction, clearer call.
- Support fast charge, charge for 10 minutes, use for 1.5 hours.



T6

True wireless stereo headset



- Certification: CE, RoHS, FCC, EAC, TELEC, BQB, UL62368 test report, quality inspection report, CB, IC ID, SRRC.
- LED digital display, translucent material, future texture.
- ENC call noise reduction, clearer call.
- Support fast charge, charge for 10 minutes, use for 1.5 hours.





**In-car
Charger**

B11

138W Car Charger Splitter with Digital Display



- Certification: FCC, PSE, METI, UKCA, CE, RoHS, EAC, ERP 6 energy efficiency certification, UL2089 test report.
- Support mainstream mobile phones, tablet PC, driving recorder and other equipment.
- The display shows charging voltage and charging power of the extension port in real time.
- 6 ports are powered at the same time, can reach 138W high power total.



ACEFAST

B10

Metal car charger 60W (USB-C + USB-C)
with digital display



- Certification: FCC, CE, NET, UKCA, CE, RoHS, IEC, Energy efficiency certification ERP6, UL2089 test report.
- LED digital display
- Two independent fast charging ports, zinc alloy + plastic, aesthetic design.



B9

66W(2USB-A+USB-C) three port metal car charger



- Certification: FCC, PSE, METI, UKCA, CE, RoHS, EAC, ERP6 energy efficiency certification, UL2089 test report
- Multi-port multi-protocol charging.
- Support mobile phone/tablet fast charging.
- The zinc alloy has good heat dissipation and fast cooling.



B8

Digital display car HUB charger



- Certification: FCC, PSE, METI, UKCA, CE, RoHS, EAC, ERP6 energy efficiency certification, UL2089 test report
- Multi-port multi-protocol charging.
- The display screen alternately displays the charging voltage and charging power of the four ports, battery voltage detection/abnormal reminder.
- Cigarette lighter expansion port
- The host and car charger is connected with the cable.



B7

Metal car charger 45W (USB-A + USB-A)
with digital display



- Certification: FCC, PSE, METI, UKCA, CE, RoHS, EAC, ERP6 energy efficiency certification, UL2089 test report
- USB-A+USB-A, Double-port independent fast charging, zinc alloy + semi-permeable plastic, aesthetic design.
- LED digital display for battery voltage, charging voltage/current



B6

Metal car charger 63W (USB-A+USB-C)
with digital display



- Certification: FCC, PSE, METI, UKCA, CE, RoHS, EAC, ERP6 energy efficiency certification, UL2089 test report
- USB-A+USB-C, Double-port independent fast charging, zinc alloy + semi-permeable plastic, aesthetic design.
- LED digital display for battery voltage, charging voltage/current



B5

101W (2C+A) metal car charger with OLED smart display



- Certification: FCC, PSE, METI, UKCA, CE, RoHS, EAC, ERP6 energy efficiency certification, UL2089 test report
- OLED digital display, display charging voltage, charging current, charging power.
- Support fast charging for laptops and mobile/tablet devices.



B4

Digital display 66W(USB-C+USB-A) dual port car charger



- High safety level, V0 fireproof material
- Certification: FCC, PSE, METI, UKCA, CE, RoHS, EAC, ERP6 energy efficiency certification, UL2089 test report
- It is mainly suitable for PD fast charging of iPhone, Samsung mobile phone, iPad and other devices and fast charging of other Android phones. It can also be used for Type-C notebooks



B3

66W(USB-C+USB-C+USB-A) three-port metal car charger



- High safety level, alloy material good heat dissipation, fast cooling
- Certification: FCC, PSE, METI, UKCA, CE, RoHS, EAC, ERP6 energy efficiency certification, UL2089 test report, CB
- Simultaneous PD fast charging of iPhone, Samsung mobile phones, iPad and other devices can be realized, support Huawei super-fast charging and other Android mobile phones. It can also be used for Type-C notebooks



B2

72W dual USB-C metal car charger



- High safety level, alloy material good heat dissipation, fast cooling
- Certification: FCC, PSE, METI, UKCA, CE, RoHS, EAC, ERP6 energy efficiency certification, UL2089 test report
- Simultaneous PD fast charging of iPhone, Samsung mobile phones, iPad and other devices can be realized. It can also be used for Type-C notebooks



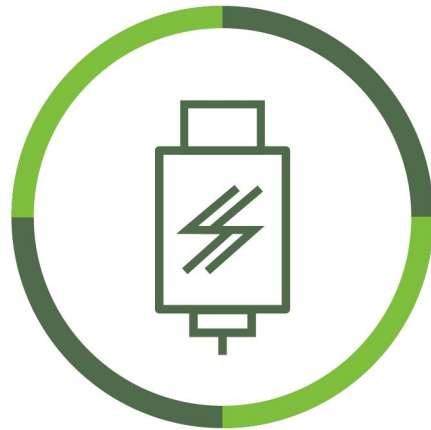
B1

Mini 38W(USB-C+USB-A) dual-port
metal car charger



- High safety level, V0 fireproof material
- Certification: FCC, PSE, METI, UKCA, CE, RoHS, EAC, ERP6 energy efficiency certification, UL2089 test report
- It is mainly suitable for PD fast charging of iPhone, Samsung mobile phones, iPad, and other Android mobile phones. It can also be used for Type-C notebooks





Cable

ACEFAST

C7-04

USB-A to USB-C zinc alloy charging data cable with display



- Certification: CE, RoHS, FCC, EAC.
- With a three-color display of different charging states.
- Built-in E-marker chip, intelligent adjustment of current and voltage to ensure stable power.
- 25000 bending tests.



C7-03

USB-C to USB-C zinc alloy charging data cable with display



- Certification: CE, RoHS, FCC, EAC.
- 100W fast charging, with a 100W charger, the output can reach 100W, compatible with a variety of devices.
- With a three-color display of different charging states.
- Built-in E-marker chip, intelligent adjustment of current and voltage to ensure stable power.
- 25000 bending tests.



C6-01

USB-C to Lightning zinc alloy digital display braided charging data cable



Made for
iPhone | iPad | iPod

- Certification: MFI, CE, RoHS, FCC, EAC.
- Maximum support PD 30W fast charge, compatible for iPhone 12 series PD 20W fast charge.
- LED digital display - real-time charging power.
- Built-in E-marker chip, intelligently adjust current and voltage to ensure stable power.
- 30000 bending tests.



C6-03

USB-C to USB-C 100W zinc alloy digital display braided charging data cable



- Certification: CE, RoHS, FCC, EAC.
- 100W all-around fast charging; with a 100W charger, the output can reach 100W, compatible with a variety of devices.
- LED digital display - real-time charging power.
- Built-in E-marker chip, intelligently adjust current and voltage to ensure stable power.
- 30000 bending tests.



C5-03

USB-C to USB-C 100W right angled aluminum alloy charging data cable



- Certification: CE, RoHS, FCC, EAC.
- 100W fast charging; with a 100W charger, the output can reach 100W, compatible with a variety of devices.
- 90° right angle design, fit the equipment, save space.
- Built-in E-marker chip, intelligently adjust current and voltage to ensure stable power.
- 30000 bend tests.



ACEFAST

C4-01

USB-C to Lightning aluminum alloy
charging data cable(1.8m)



- Certification: MFI, CE, RoHS, FCC, EAC.
- Apple's original C94 chip.
- Maximum support PD 30W charging.
- 25000 bending tests.



C4-02

USB-A to Lightning aluminum alloy
charging data cable(1.8m)



- Certification: MFI, CE, RoHS, FCC, EAC.
- Apple's original C89 chip.
- 25000 bending tests.



C4-03

USB-C to USB-C 100W aluminum alloy charging data cable



- Certification: CE, RoHS, FCC, EAC.
- 100W fast charging; with a 100W charger, the output can reach 100W, compatible with a variety of devices.
- Built-in E-marker chip, intelligently adjust current and voltage to ensure stable power.
- 30000 bend tests.



C3-01

USB-C to Lightning TPE charging data cable



Made for
Apple iPhone | iPad | iPod

- Certification: MFI, CE, RoHS, FCC, EAC
- Support PD 30W fast charging
- Compatible for iPhone 12 series PD 20W fast charge
- 10 000 bending tests



ACEFAST

C3-02

USB-A to Lightning TPE charging data cable



Made for
iPhone | iPad | iPod

- Certification: MFI, CE, RoHS, FCC, EAC
- Support 2.4A current
- 10 000 bending tests



C3-03

USB-C to USB-C TPE charging data cable



- Certification: CE, RoHS, FCC, EAC
- Support laptop 60W (20V/3A) charging
- USB-C interface mobile phone supports 3A current
- 10 000 bending tests



C3-04

USB-A to USB-C TPE charging data cable



- Certification: CE, RoHS, FCC, EAC
- 10 000 bending tests
- USB-C interface mobile phone supports 3A current
- Optimal value for money



C3-09

USB-A to Micro-USB TPE charging data cable



- Certification: CE, RoHS, FCC, EAC
- 10 000 bending tests
- Support 2.4A current
- Optimal value for money



C2-01

USB-C to Lightning zinc alloy silicone charging data cable



Made for
iPhone | iPad | iPod

- Certification: MFI, CE, RoHS, FCC, EAC
- Support PD 30W fast charging
- Compatible for iPhone 12 series PD 20W fast charge
- 10 000 bending tests
- Food-grade silicone material, skin-friendly, soft and non-knotted



ACEFAST

C2-02

USB-A to Lightning zinc alloy silicone charging data cable



Made for
iPhone | iPad | iPod

- Certification: MFI, CE, RoHS, FCC, EAC
- Support 2.4A current
- 10 000 bending tests
- Food-grade silicone material, skin-friendly, soft and non-knotted



C2-03

USB-C to USB-C zinc alloy silicone charging data cable



- Certification: CE, RoHS, FCC, EAC
- Support laptop 60W (20V/3A) charging
- USB-C interface mobile phone supports 3A current
- 10 000 bending tests
- Food-grade silicone material, skin-friendly, soft and non-knotted



ACEFAST

C2-04

USB-A to USB-C zinc alloy silicone charging data cable



- Certification: CE, RoHS, FCC, EAC
- USB-C interface mobile phone supports 3A current
- 10 000 bending tests
- Food-grade silicone material, skin-friendly, soft and non-knotted



ACEFAST

C1-01

USB-C to Lightning aluminum alloy
charging data cable



Made for
iPhone | iPad | iPod

- Certification: MFI, CE, RoHS, FCC, EAC
- Support PD 30W fast charging
- Compatible for iPhone 12 series PD 20W fast charge
- 10 000 bending tests



ACEFAST

C1-02

USB-A to Lightning aluminum alloy
charging data cable



Made for
iPhone | iPad | iPod

- Certification: MFI, CE, RoHS, FCC, EAC
- Support 2.4A current
- 10 000 bending tests



ACEFAST

C1-03

USB-C to USB-C aluminum alloy charging data cable



- Certification: CE, RoHS, FCC, EAC
- Support laptop 60W (20V/3A) charging
- USB-C interface mobile phone supports 3A current
- 10 000 bending tests



ACEFAST

C1-04

USB-A to USB-C aluminum alloy charging data cable



- Certification: CE, RoHS, FCC, EAC
- Support 3A current
- 10 000 bending tests



ACEFAST

C1-05

Lightning to 3.5mm aluminum alloy
headphones adapter cable



Made for
iPhone | iPad | iPod

- Certification: MFI, CE, RoHS, FCC, EAC
- Support 3.5mm headset
- Support voice, karaoke wire control, karaoke/USB
- 5000 bending tests
- Support HiFi music.



ACEFAST

C1-06

Lightning to 3.5mm aluminum alloy
audio cable



Made for
🍏 iPhone | iPad | iPod

- Certification: MFI, CE, RoHS, FCC, EAC
- Compatible with audio equipment with 3.5mm input interface (car audio, speaker, earphone, etc.)
- 5000 bending tests
- Support HiFi music



ACEFAST

C1-07

USB-C to 3.5mm aluminum alloy
headphones adapter cable



- DAC digital decoding chip, lossless transmission, enjoy true HiFi sound quality, compatible with 99% Type-C mobile phones.
- Certification: CE、RoHS、FCC、EAC
- 5000 bending tests
- Support voice, karaoke wire control, karaoke/USB



ACEFAST

C1-08

USB-C to 3.5mm aluminum alloy audio cable



- DAC digital decoding chip, lossless transmission, enjoy true HiFi sound quality, compatible with 99% Type-C mobile phones.
- Certification: CE、RoHS、FCC、EAC
- 5000 bending tests
- Applicable to desktop audio, car audio, headset, etc. that connect Type-C mobile phones to the AUX interface



C1-09

USB-C to USB-C aluminum alloy audio/
video transmission full-featured data cable



- Full-featured audio/video transmission charging data cable.
- Certification: CE, RoHS, FCC, EAC.
- Support PD240W power supply, 40 Gbps high-speed data transmission, 4K high-definition display, compatible with Thunderbolt 3 / 4 functions.
- Support PD3.1 fast charging protocol, support USB4 protocol





**In-car
Holder**

ACEFAST

D17

Car wireless charging holder



- The holder does not block the line of sight, it is safe to drive.
- Brand new long-arm hook lock clip, firmly locks at the air outlet blade.
- Double-stretch structure, firmly lock the phone without falling.
- Three-axis linkage clamp, adjustable to adapt to different sizes of mobile phones.



ACEFAST

D16

Magnetic car holder for air vent



- One-piece design, compact, does not take up space.
- 6 strong N52 magnets, more stable adsorption.
- The new long arm hook clip, firmly lock the air outlet blades
- Easy to install, plug and play.



D15

Bicycle holder



- Anti-skid shock absorption design.
- Not afraid of bumpy road conditions.
- Simple operation.
- Soft rubber pads are used around to protect your phone.

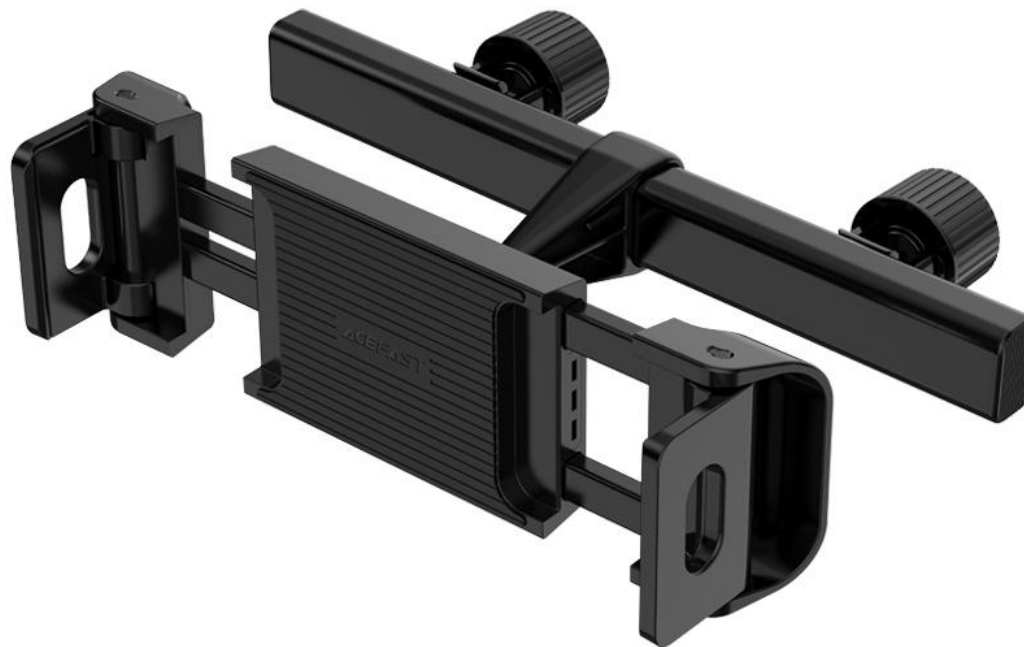


D8

In-car headrest holder



- For most mobile phones, tablets, game consoles and other devices.
- Tight-locking headrest holder, firm and does not fall off, easy to install, the lock position can be adjusted according to the width of the headrest.
- Hidden folding arm, no unnecessary edges and corners, to protect the safety of passengers during driving.
- Compared with the elastic support design, the service life is longer.



D7

Multifunctional magnetic car holder



- 8pcs N52 powerful magnets, the adsorption is more stable.
- The new long-arm lock clip firmly locks the air outlet blades.
- One holder for multiple mounting types, adapting to the different needs.
- Does not block the line of sight, drive safely.



D6

Air vent magnetic car holder



- 6pcs N52 powerful magnets, more stable.
- The new long-arm lock clip firmly locks at the air vent blades.
- The holder does not block the line of sight, drive safely.



D5

Multi-function car holder



- New long-arm lock clip firmly locks the air vent blades.
- Does not block the line of sight, drive safely.
- One holder for multiple mounting types, adapting to the different needs.
- Phone can be placed horizontally and vertically, the clamping is firm, without falling.



D3

Magnetic wireless charging car holder



- Certification: CE, RoHS, FCC, EAC, UL62368 test report
- Specially designed for iPhone 12&iPhone 13 series
- Magsafe wireless fast charging
- Super adsorption, put and charge instantly
- Support horizontal and vertical screens
- Metal material, simple and beautiful





Holder

E16

Desktop 3-in-1 wireless charging holder



- Certification: CE, RoHS, FCC, EAC, Qi, UL62368 test report.
- 3-in-1 wireless charging, for mobile phones, watches and headsets, can charge at the same time
- Compatible with all iPhone mobile phones with wireless charging function, super adsorption, easy to use, accurate magnetic absorption without falling, instant charging.
- Warm yellow LED atmosphere light to improve the sense of atmosphere at night.



E15

Desktop 3-in-1 wireless charging stand



- Certification: CE, RoHS, FCC, EAC, Qi, UL62368 test report.
- Dual-coil configuration, larger sensing range, compatible with more wireless charging devices.
- 60° elevation angle vertical design, play while charging, comfortable operation.
- Silicone non-slip mat at the bottom to hold the phone firmly.
- The wireless charging part of the watch can be removed, and the two charging methods can be selected at will.



E14

Desktop wireless charger



- Certification: CE, RoHS, FCC, EAC, Qi, UL62368 test report.
- Double coil configuration, larger induction range, compatible with more wireless charging devices.
- 60° angle vertical design, in line with ergonomic principles, charging and playing at same time, comfortable use.
- Just put and charge, horizontally and vertically.



E12

Desktop mobile phone lifting holder



- Rotates freely 360°, can adjust various viewing angles at will.
- Can be lifted and lowered freely, the height can be adjusted at will.
- Thickened base, stable support.
- Non-slip soft rubber back clip, protect the phone from falling.
- The back clip can be adjusted to suit different sizes of mobile phones.



E11

Desktop mobile phone magnetic holder



- Magnetic suction head rotates freely in 360°, adjust various viewing angles freely.
- Can be adjusted at will.
- Four-corner base, stable support.
- 6 strong N52 magnets, more stable adsorption.
- Large size magnetic head, larger force area, more stable support for mobile phones.



E10

Desktop mobile phone back clip holder



- 360° free rotation of the back clip, a variety of viewing angles can be adjusted freely.
- Can be adjusted at will.
- Four-corner base, stable support.
- The large-size silicone surface of the back clip is soft and smooth, takes care of your device.
- The bottom bracket of the back clip can be adjusted to suit different sizes of mobile phones.



E9

Desktop 3-in-1 wireless charging holder



- Certification: CE, RoHS, FCC, EAC, Qi, UL62368 test report, CB
- 3-in-1 wireless charging, mobile phone, watch and headset are charged at the same time.
- With USB-A port output, additional charging interface is provided.
- Magnetic suction is compatible with all iPhone 12 and iPhone 13 mobile phones.
- Super strong adsorption, just put it and charge it instantly.



E5 PLUS

USB-C multifunctional stand HUB for laptop



- 8 in 1 USB-C hub, multiple connections at the same time, ensuring that there is no interference when each interface.
- The angle can be adjusted at will; one-piece folding for easy storage.
- HDMI supports 4K output.
- USB-C plug and play, compatible with mainstream notebooks and external devices on the market.
- The USB-C 3.1 charging cable adopts the function of power switch control, which can reduce unplugging and more convenient.



E4

Prosperity table holder



- Adapt to most mobile phones, tablets, game consoles and other devices
- Hidden clamping arm, easy to fix the device with one push and pull
- Exquisite chuck, multi-angle arbitrary adjustment
- Retractable aluminum alloy rod, suitable for different sitting heights
- Heavy chassis, stable and not shaken



E3

Desktop three-in-one wireless charging stand



- Certification: CE, RoHS, FCC, EAC, Qi, UL62368 test report
- Simultaneous fast charging of mobile phones/headset/watches, compatible with iPhone 12&iPhone 13 series mobile phones
- Super adsorption, put and charge instantly
- Support horizontal and vertical screens



Thank you

www.acefast.com



ShenZhen Houshuxia Technology Co.,Ltd.